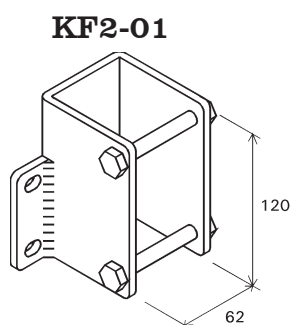
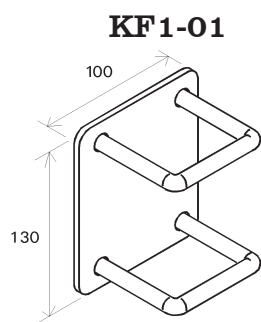


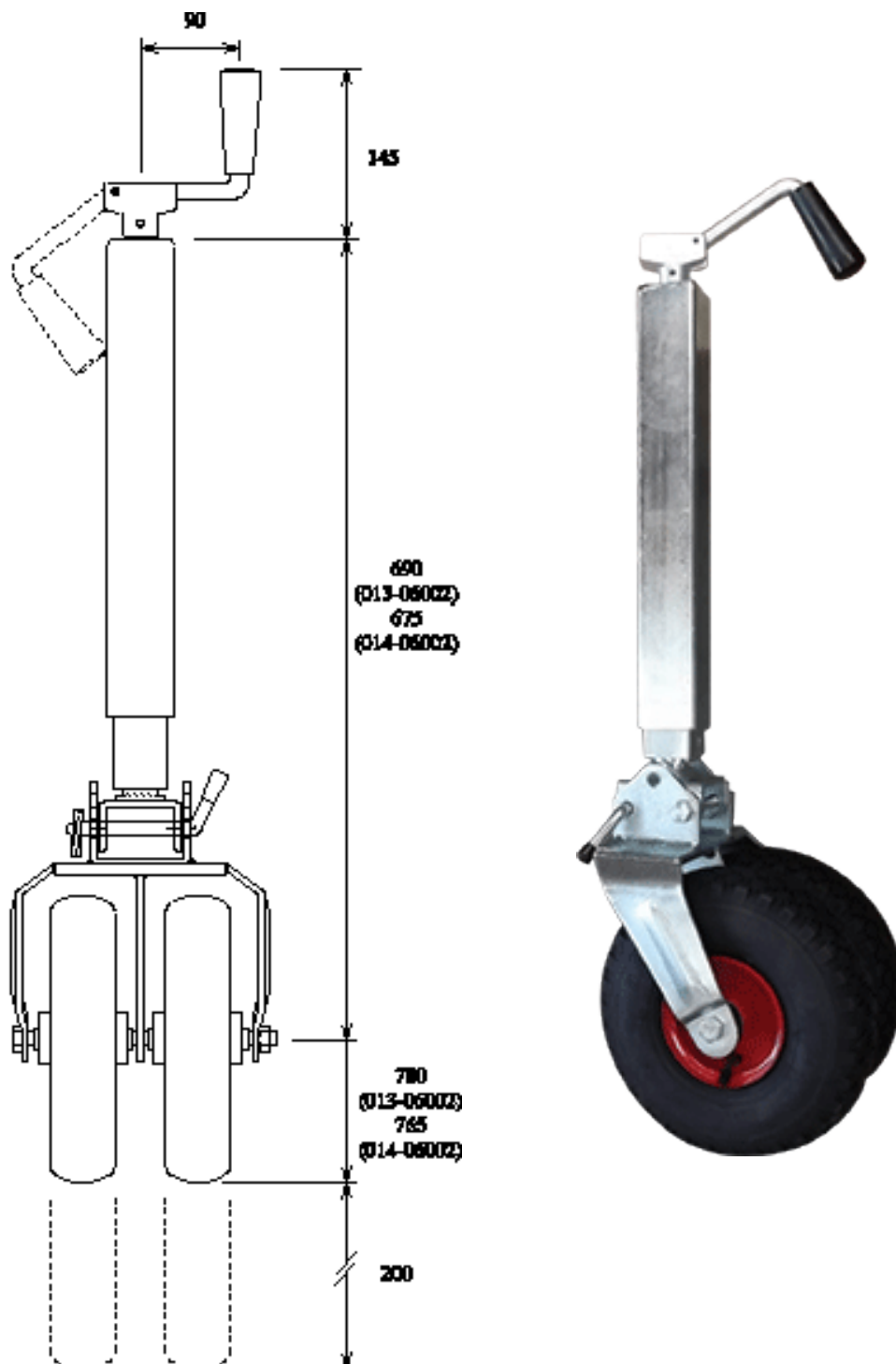
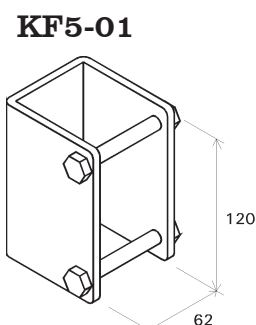
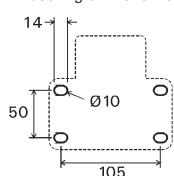
Jack wheels

type 013-06002-01 & 014-06002-01

Brackets optional:



Placing of mont. huller



A/S THOR-LEM

Bredgade 2 | DK-6940 Lem St.
 Tel.: +45 97 34 10 99 | Fax: +45 97 34 20 99
www.thorlem.dk | thorlem@thorlem.dk