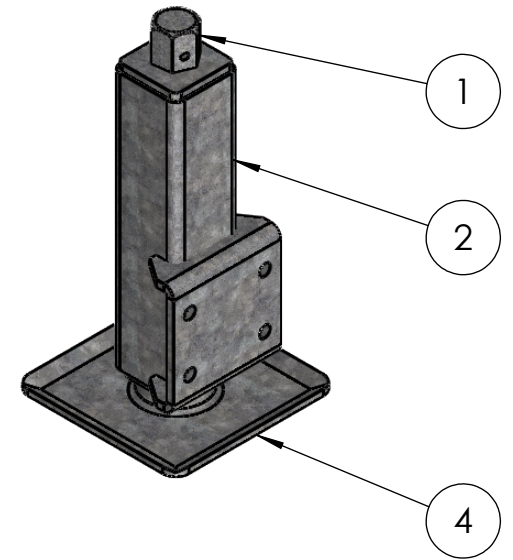
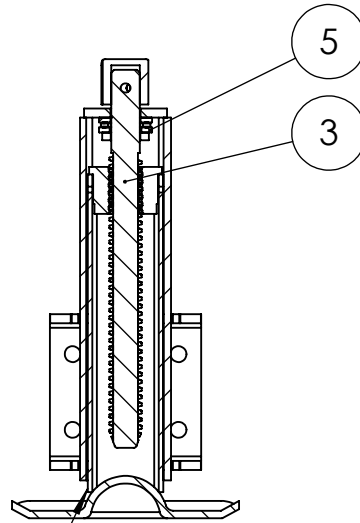
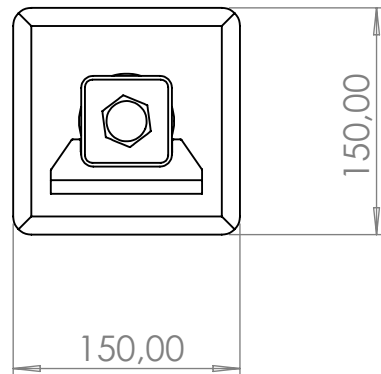


SECTION A-A



Stroke: 120 mm



ITEM NO.	PART NUMBER	Description	QTY.
1	201-00019	6-kant for top	1
2	204-06040	Yderrør : 240mm	1
3	205-02211	Spindel, TR22 x 5 x 250mm	1
4	207-05048	Inderrør : 210 mm	1
5	536-00001	Axialleje Ø20/Ø35	1

THOR-LEM

Bredgade 2, 6940 Lem
www.thorlem.dk
97341099



ALL MEASURES WITHOUT TOLERANCE ACC. TO: ISO 2768: Middel	WEIGHT [kg]: 5.20	SCALE: 1:5	DRAWN: asl
Description: Støtteben Vandring 120 mm			SURFACE: -1
			DATE: 14-04-2020
MATERIAL:		SHEET: 1 of 1	FORMAT: A4
DRAWING NUMBER: 001-06012			REVISION: A

This drawing remains our property. It shall not be copied, reproduced, disclosed or otherwise made available to any third party without our previous written consent.