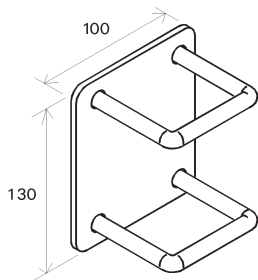


Jack wheels

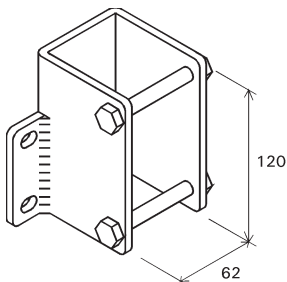
type SHF1-01 & SHF2-01

Brackets optional:

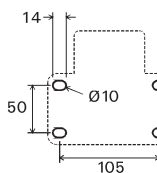
KF1-01



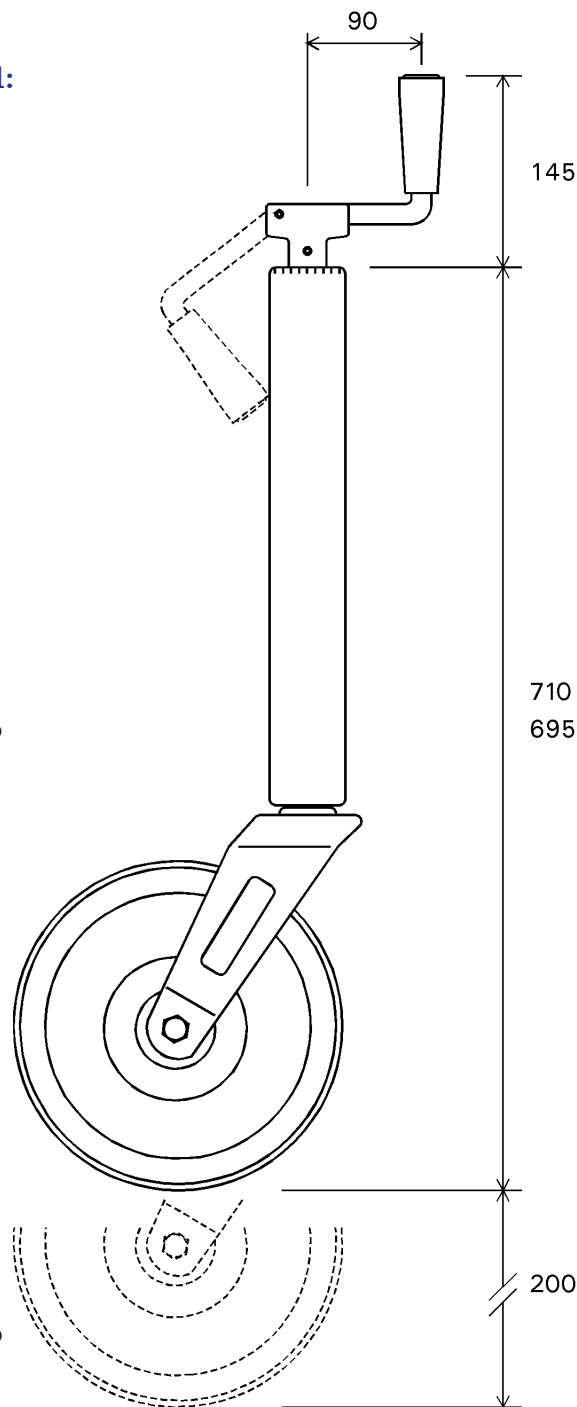
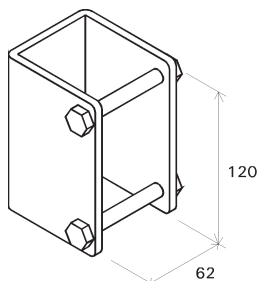
KF2-01



Placing of mont. huller



KF5-01



A/S THOR-LEM

Bredgade 2 | DK-6940 Lem St.
Tel.: +45 97 34 10 99 | Fax: +45 97 34 20 99
www.thorlem.dk | thorlem@thorlem.dk